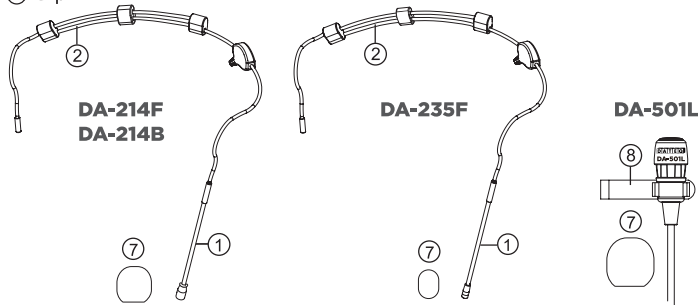


# DA-214F/DA-214B/DA-235F/DA-501L

- ① Gooseneck
- ② Adjustable Headband
- ③ 4P Mini XLR
- ④ 4P Hirose Connector **Option**
- ⑤ 3P Mini XLR **Option**
- ⑥ 3.5 Stereo Plug **Option**
- ⑦ Windscreen
- ⑧ Clip



## DA-214F/DA-214B Lightweight Headset Microphone

- \* Comfortable, lightweight and confident.
- \* Omni-directional pick up pattern.
- \* Smooth frequency response.
- \* No proximity effect.
- \* High quality steel headband assures durability, mini gooseneck for best position.
- \* Adjustable headband.
- \* A drip ring is offered.
- \* Carry pouch is provided.
- \* Detachable cable.

Available Color : Beige/Black

## DA-235 Subminiature Headset Microphone

- \* For theatre, live sound, TV and musicals.
- \* Omni-directional.
- \* Excellent acoustic performance.
- \* Very comfortable to wear.
- \* High quality mini gooseneck assures best miking position.
- \* Adjustable headband.
- \* Detachable cable.

Available Color : Beige

## DA-501L Lavalier Microphone

- \* Uni-direction for high-quality voice pick-up.
- \* Wide dynamic range and frequency response for excellent sound reinforcement.
- \* Small size for minimum visibility.
- \* Together with clip for easy attaching to a tie, lapel, dress etc.

Model	DA-214F	DA-214B	DA-235F	DA-501L
Connector	4P Mini XLR	4P Mini XLR	4P Mini XLR )	4P Mini XLR )
Option Connector	4 Pin Hirose Connector 3P Mini XLR 3.5 stereo plug	4 Pin Hirose Connector 3P Mini XLR 3.5 stereo plug	4 Pin Hirose Connector 3P Mini XLR 3.5 stereo plug	4 Pin Hirose Connector 3P Mini XLR 3.5 stereo plug
Frequency Response	60~15,000 Hz	50~18,000 Hz	100~15,000 Hz	
Polar Pattern	Omni-directional	Omni-directional	Cardioid	
Sensitivity (at 1KHz)	-60±3 dB *(1mV)*0dB=1V/μbar	-53 ± 3dB *(2.24mV)*0dB=1V/μbar	-60 ± 3dB	
Impedance	1.8kΩ	1.8kΩ	2.2K Ω	
Max. SPL for 1% THD	130dB	130dB	130dB	
Dimension(mm)	125(W)x134(H)x157(D)	155(W)x134(H)x157(D)	Ø10.1(W)x26.4(H)	
Net Weight	32.9g	17g (cable excluded)	21.5g	
Standard Accessories	Windscreen	Windscreen	Windscreen	

## *Condenser Microphones*

**DA-214F/DA-214B**

**DA-235/DA-501L**