

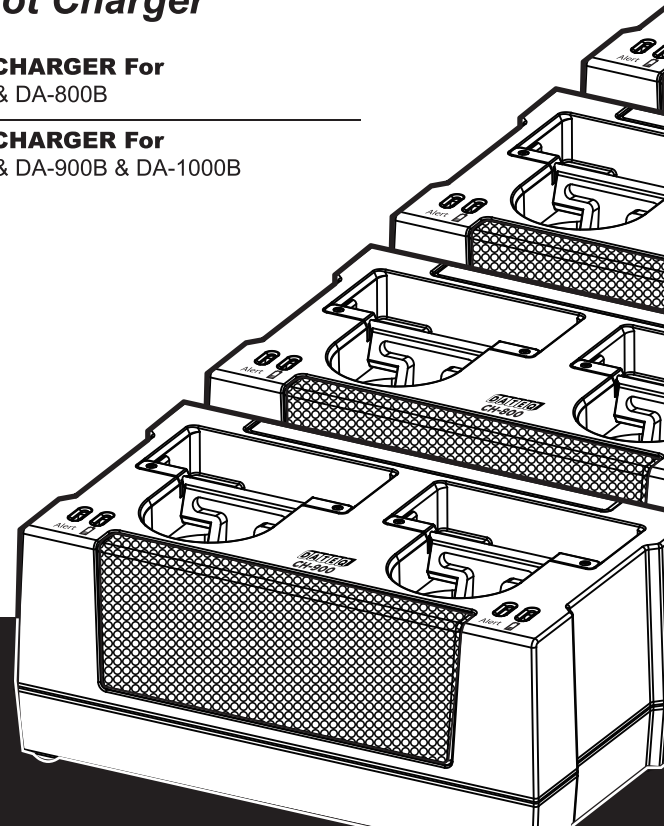


CH-800 / CH-900

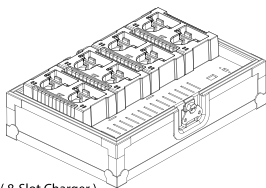
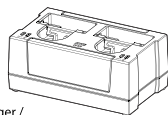
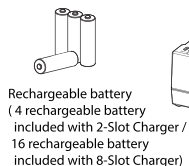
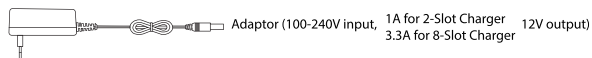
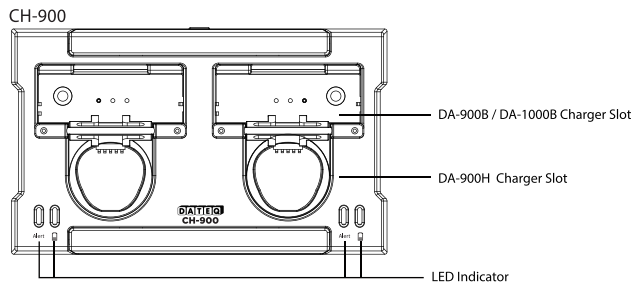
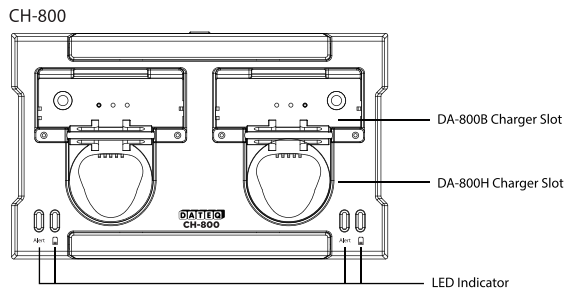
2/8-Slot Charger

CH-800 CHARGER For
DA-800H & DA-800B

CH-900 CHARGER For
DA-900H & DA-900B & DA-1000B



1. Parts Identification



2. Specification

2-Slot Charger / 8-Slot Charger
 Input: AC 100~240V, 0.4A max(2-Slot Charger)
 AC 100~240V, 1.2A max(8-Slot Charger)
 Output: DC 12V, 1A(2-Slot Charger)
 DC 15V, 3A(8-Slot Charger)

LED Indicator

Full Charged / Standby: Green
 Charging: Flash Green
 Fault: Red light flashes 1 time : Battery overheated
 Red light flashes 2 times : Battery voltage too high
 Red light flashes 4 times : Battery short circuit
 Red light flashes 8 times : Battery voltage too low

Charging Time: 5 hours
 (2000mAh rechargeable battery)

3. Charge Battery

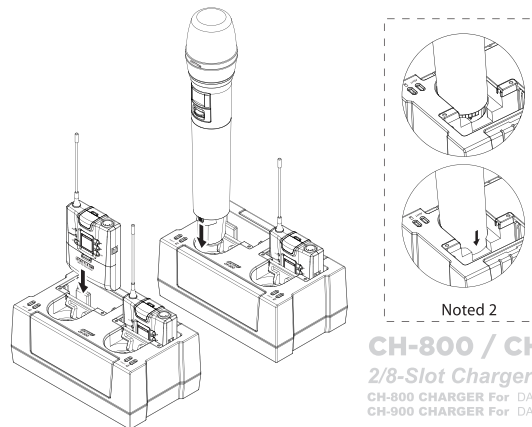
Plug the DA-900H / DA-900B / DA-800H / DA-800B / DA-1000B into "Charger Slot" 2-Slot Charger or 8-Slot Charger.

The charging indicator will flash green light when it is charging, and the green light will stop flashing when it is fully charged.

Noted 1: As soon as AC power is connected, the charging indicator will show green light.

Noted 2: Please follow the direction and **push the transmitters to the end till it touch the charging point** as show in below demonstration picture.

Noted 3: One charger Slot can only charge one item at a time.



CH-800 / CH-900

2/8-Slot Charger

CH-800 CHARGER For DA-800H & DA-800B
 CH-900 CHARGER For DA-900H & DA-900B